

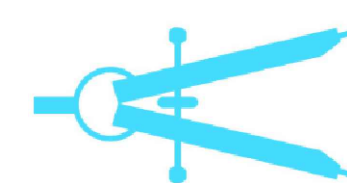
# GRECO - KORNEGAY RESIDENCE



BUILDER CONTACT INFO	ELECTRICAL NOTES	PLUMBING NOTE	PAINTING NOTES
GENERAL NOTES	FLOORING NOTES	TRIM NOTES	DRYWALL NOTES

It is the responsibility of the builder to assure that all work is in accordance with the latest edition of all applicable Nation, State, and Local Building Codes. It is the responsibility of the builder to check all dimension and details for overall accuracy appropriate to the local on site conditions. The draftsman is not an architectural firm and stands no liability for structural or architectural design integrity. Every effort has been made to ensure all dimensions are correct and governmental regulations have been met. If an error or omission does occur it is the sole responsibility of the contractor to correct the error and not the responsibility of the draftsman. This plan has been prepared for the contractor and the Draftsman has no knowledge of, or is responsible for, any copy right infringement. The contractor takes sole responsibility for everything on this plan.

**J Lee Designs**  
Dream. Create. Live.



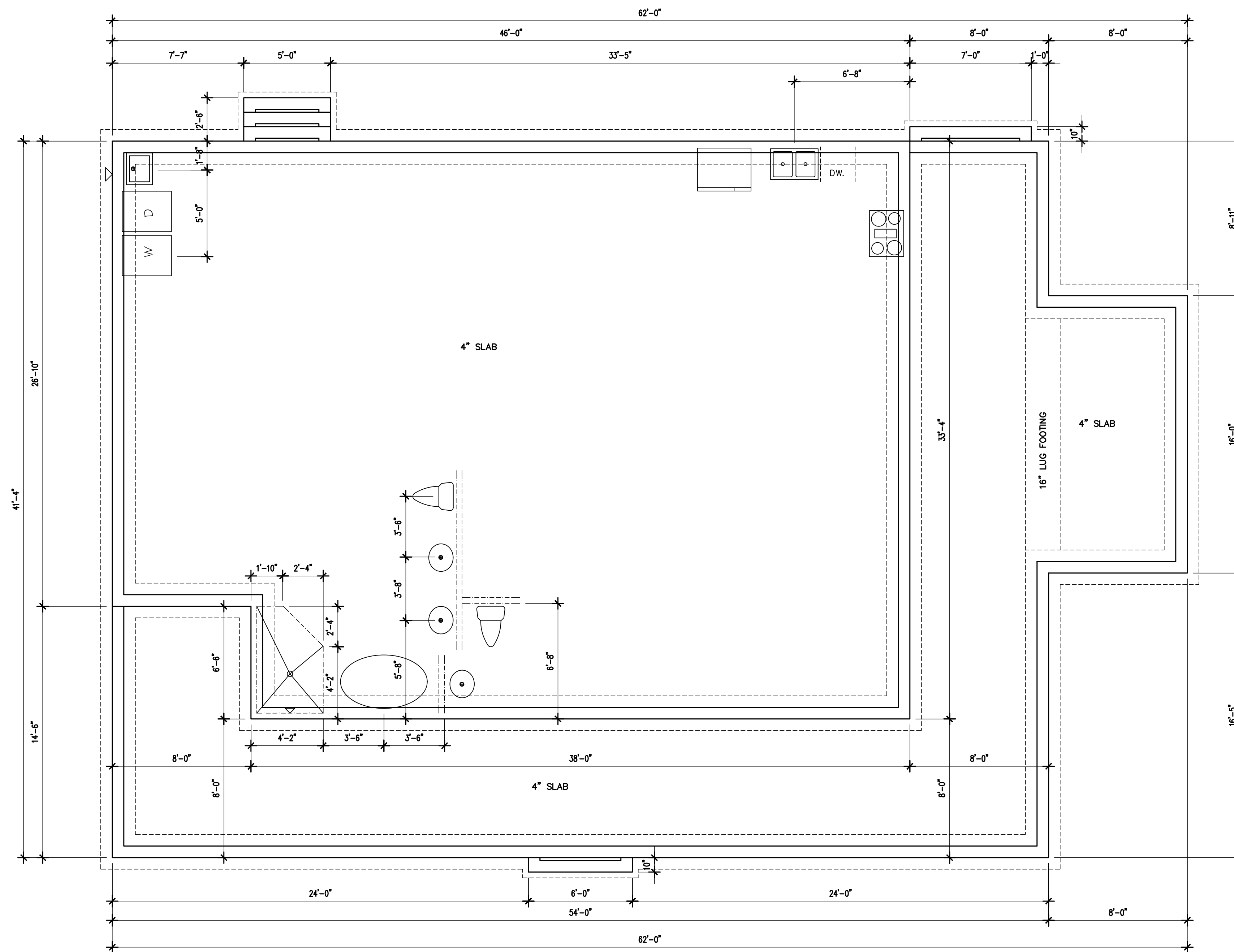
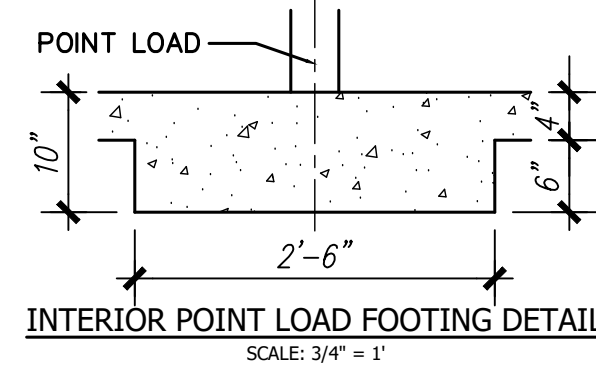
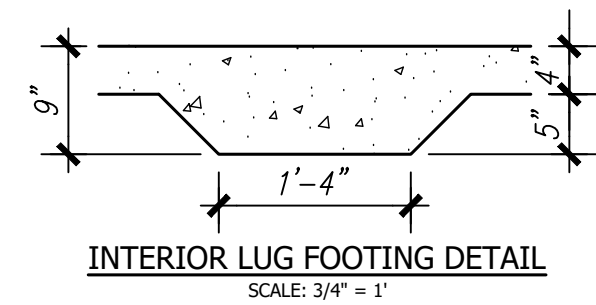
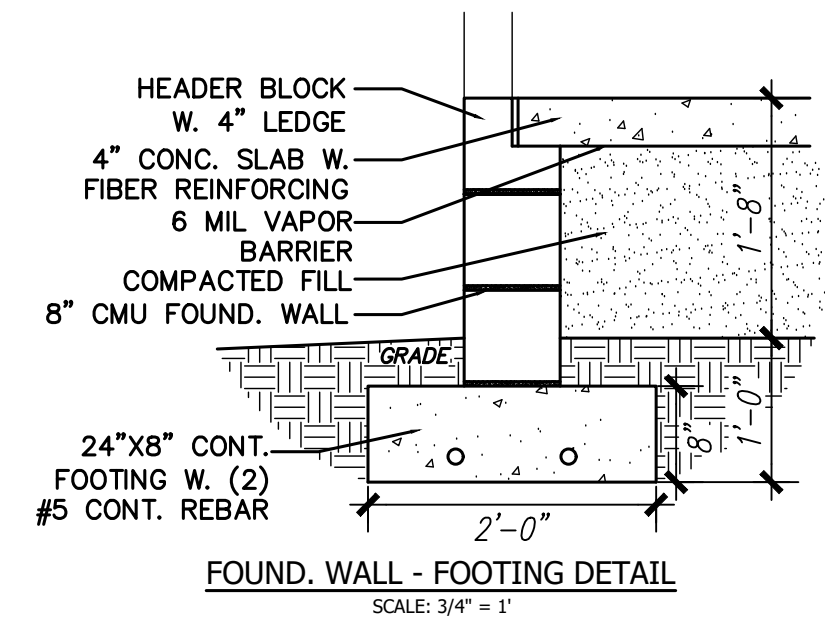
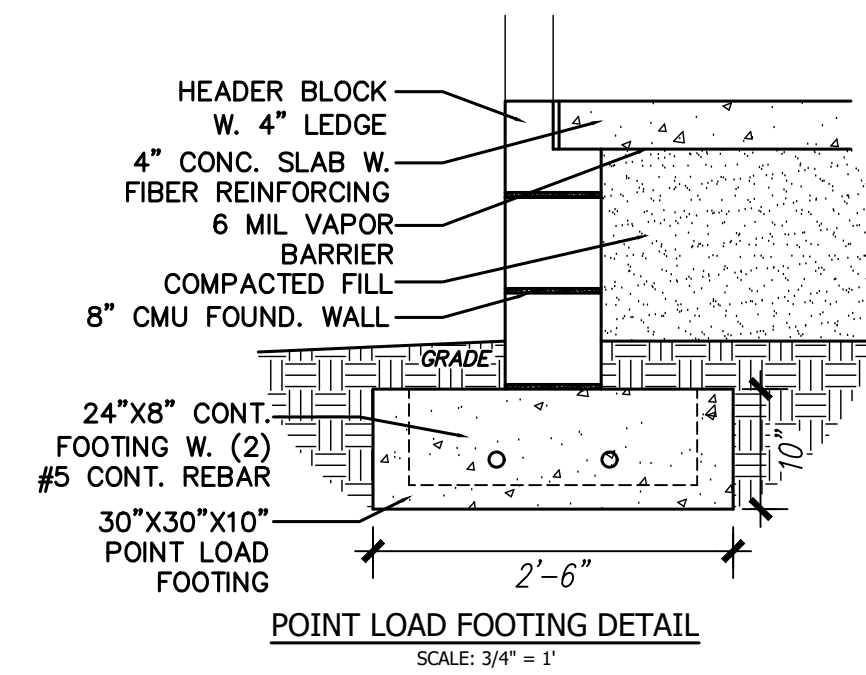
GRECO - KORNEGAY

COVER

SCALE : 1/4"=1'

MARCH 7TH, 2021

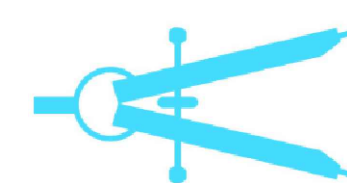
**AO**



FOUNDATION PLAN  
1/4" = 1'-0"  
ALL INTERIOR LOAD POINTS TBD BY TRUSS LAYOUT

It is the responsibility of the builder to assure that all work is in accordance with the latest edition of all applicable National, State, and Local Building Codes. It is the responsibility of the builder to check all dimension and details for overall accuracy appropriate to the local on site conditions. The draftsman is not an architectural firm and stands no liability for structural or architectural integrity. Every effort has been made to ensure all dimensions are correct and governmental regulations have been met. If an error or omission does occur it is the sole responsibility of the contractor to correct the error and not the responsibility of the draftsman. This plan has been prepared for the contractor and the Draftsman has no knowledge of, or is responsible for, any copy right infringement. The contractor takes sole responsibility for everything on this plan.

J Lee Designs  
Dream. Create. Live.

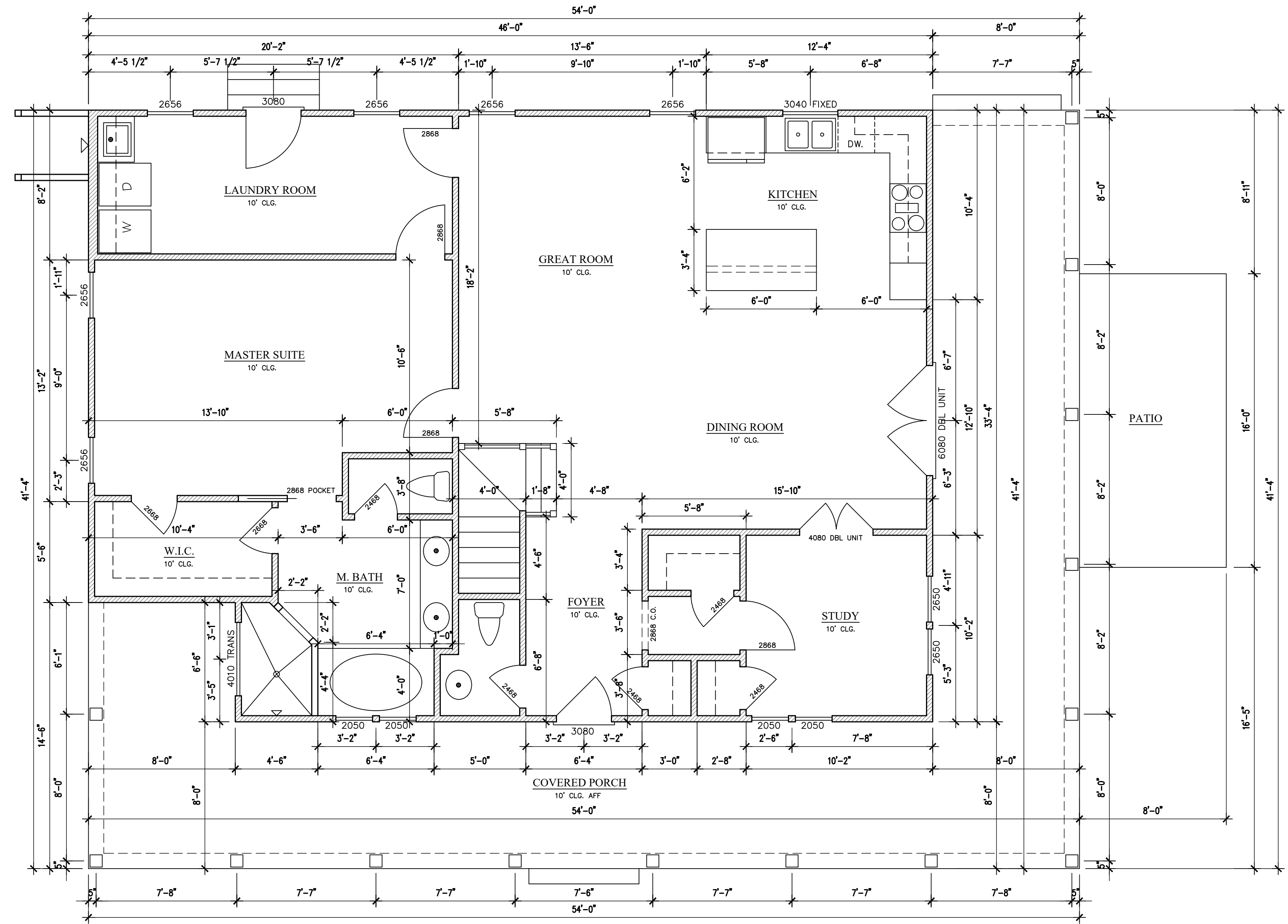
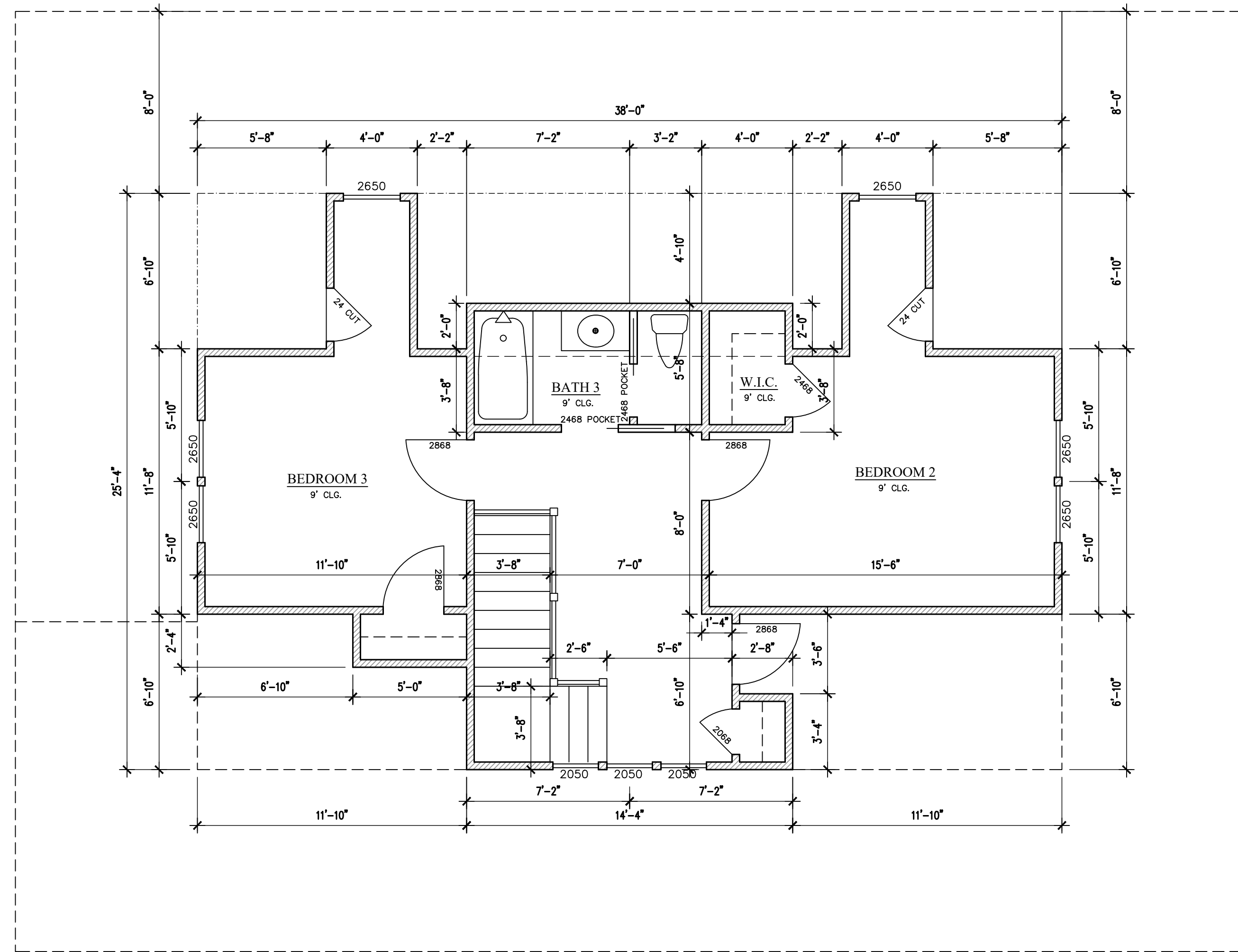


GRECO - KORNEGAY  
FOUNDATION

SCALE : 1/4" = 1'

MARCH 7TH, 2021

A1



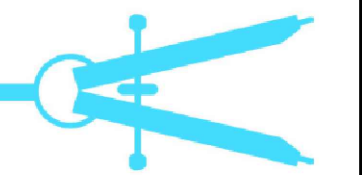
FLOOR PLAN

1/4" = 1'-0"

GROUND FLOOR	1481 sq. ft.	COVERED PORCH	750 sq. ft.
SECOND FLOOR	614 sq. ft.	PATIO	128 sq. ft.
TOTAL HEATED	2095 sq. ft.	GYM	240 sq. ft.
		GYM PORCH	36 sq. ft.

It is the responsibility of the builder to assure that all work is in accordance with the latest edition of all applicable National, State, and Local Building Codes. It is the responsibility of the builder to check all dimension and details for overall accuracy appropriate to the local on site conditions. The draftsman is not an architectural firm and stands no liability for structural or architectural design integrity. Every effort has been made to ensure all dimensions are correct and governmental regulations have been met. If an error or omission does occur it is the sole responsibility of the contractor to correct the error and not the responsibility of the draftsman. This plan has been prepared for the contractor and the Draftsman has no knowledge of, or is responsible for, any copy right infringement. The contractor takes sole responsibility for everything on this plan.

J Lee Designs  
Dream. Create. Live.



GRECO-KORNEGAY

PRELIMINARY

SCALE : 1/4" = 1'

MARCH 7TH, 2021

A2





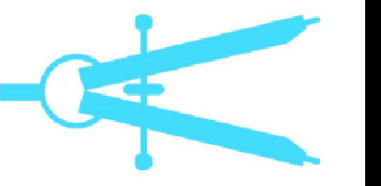
FRONT ELEVATION 1/4" = 1'-0"



REAR ELEVATION 1/4" = 1'-0"

It is the responsibility of the builder to assure that all work is in accordance with the latest edition of all applicable National, State, and Local Building Codes. It is the responsibility of the builder to check all dimension and details for overall accuracy appropriate to the local on site conditions. The draftsman is not an architectural firm and stands no liability for structural or architectural integrity. Every effort has been made to ensure all dimensions are correct and governmental regulations have been met. If an error or omission does occur it is the sole responsibility of the contractor to correct the error and not the responsibility of the draftsman. This plan has been prepared for the contractor and the Draftsman has no knowledge of, or is responsible for, any copy right infringement. The contractor takes sole responsibility for everything on this plan.

**J Lee Designs**  
Dream. Create. Live.

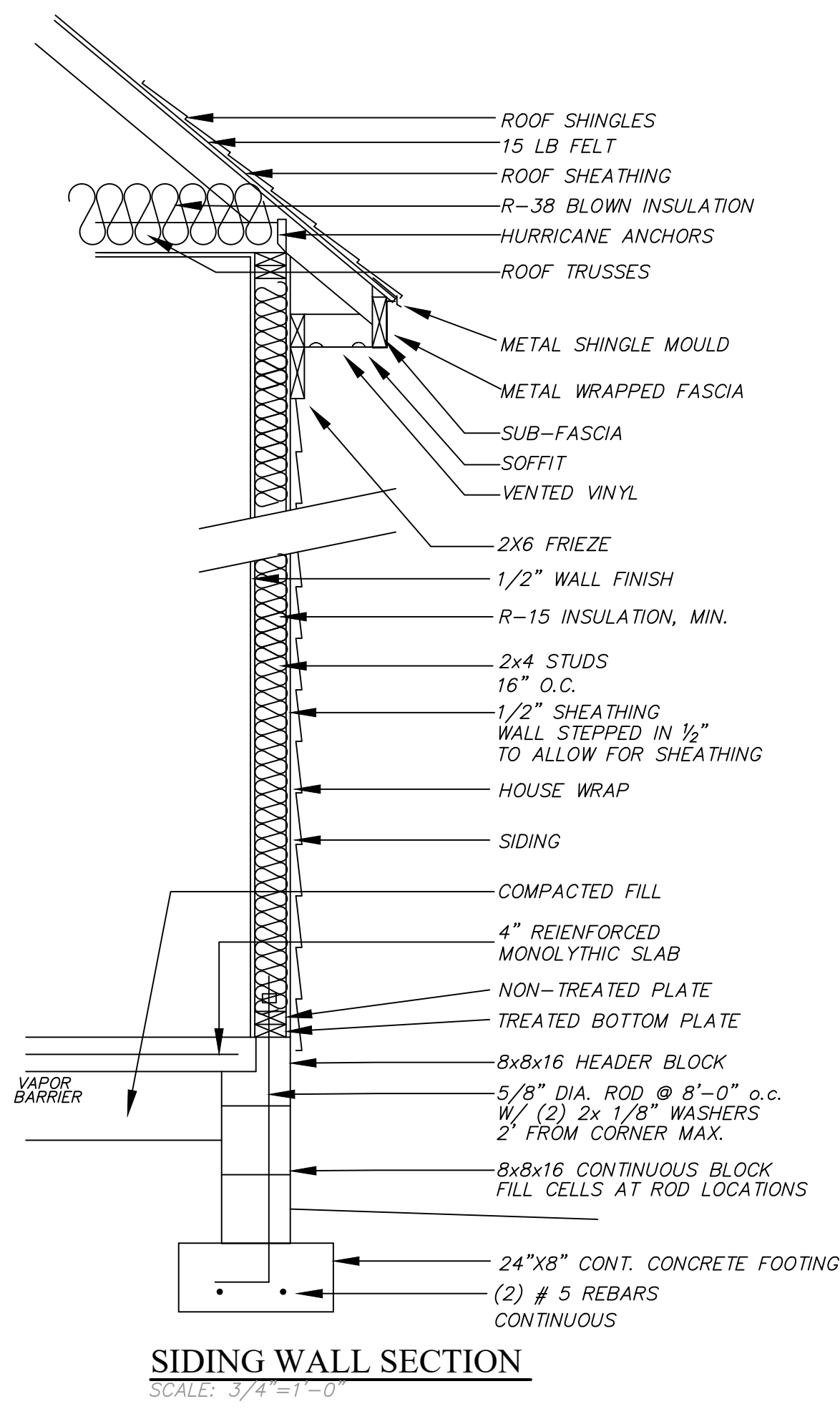


**GRECO - KORNEGAY**  
**ELEVATIONS**

SCALE : 1/4" = 1'

MARCH 7TH, 2021

**A3**



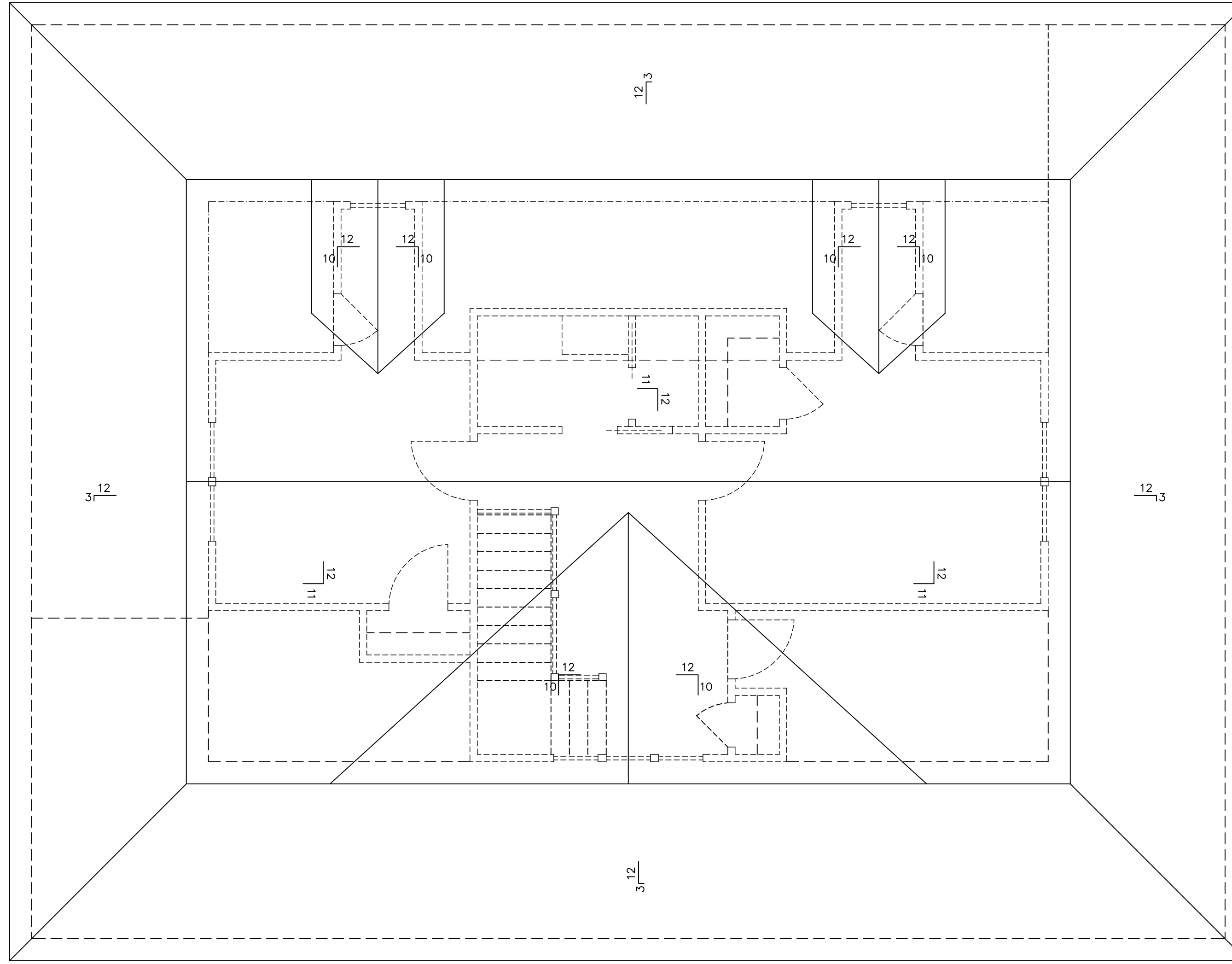
It is the responsibility of the builder to assure that all work is in accordance with the latest edition of all applicable National, State, and Local Building Codes. It is the responsibility of the builder to check all dimension and details for overall accuracy appropriate to the local on site conditions. The draftsman is not an architectural firm and stands no liability for structural or architectural integrity. Every effort has been made to ensure all dimensions are correct and governmental regulations have been met. If an error or omission does occur it is the sole responsibility of the contractor to correct the error and not the responsibility of the draftsman. This plan has been prepared for the contractor and the Draftsman has no knowledge of, or is responsible for, any copy right infringement. The contractor takes sole responsibility for everything on this plan.

**J Lee Designs**  
Dream. Create. Live.

**GRECO - KORNEGAY**  
**ELEVATIONS**

SCALE : 1/4"=1'  
MARCH 7TH, 2021

**A4**



ROOF PLAN 1/4" = 1'-0"  
 12" OVERHANGS U.N.O.

GRECO – KORNEGAY  
 ROOF PLAN

SCALE : 1/4"=1'

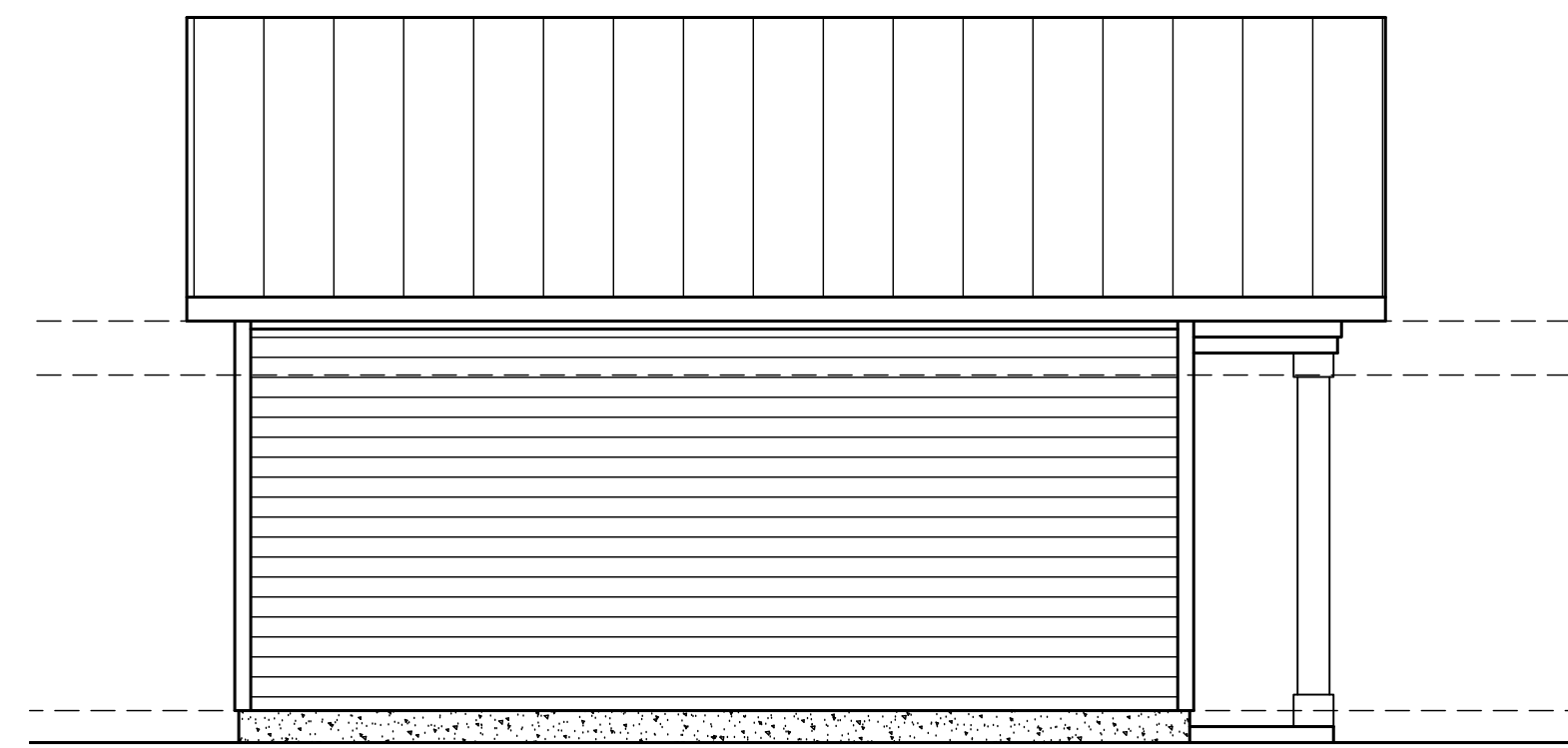
MARCH 7TH, 2021

**A5**

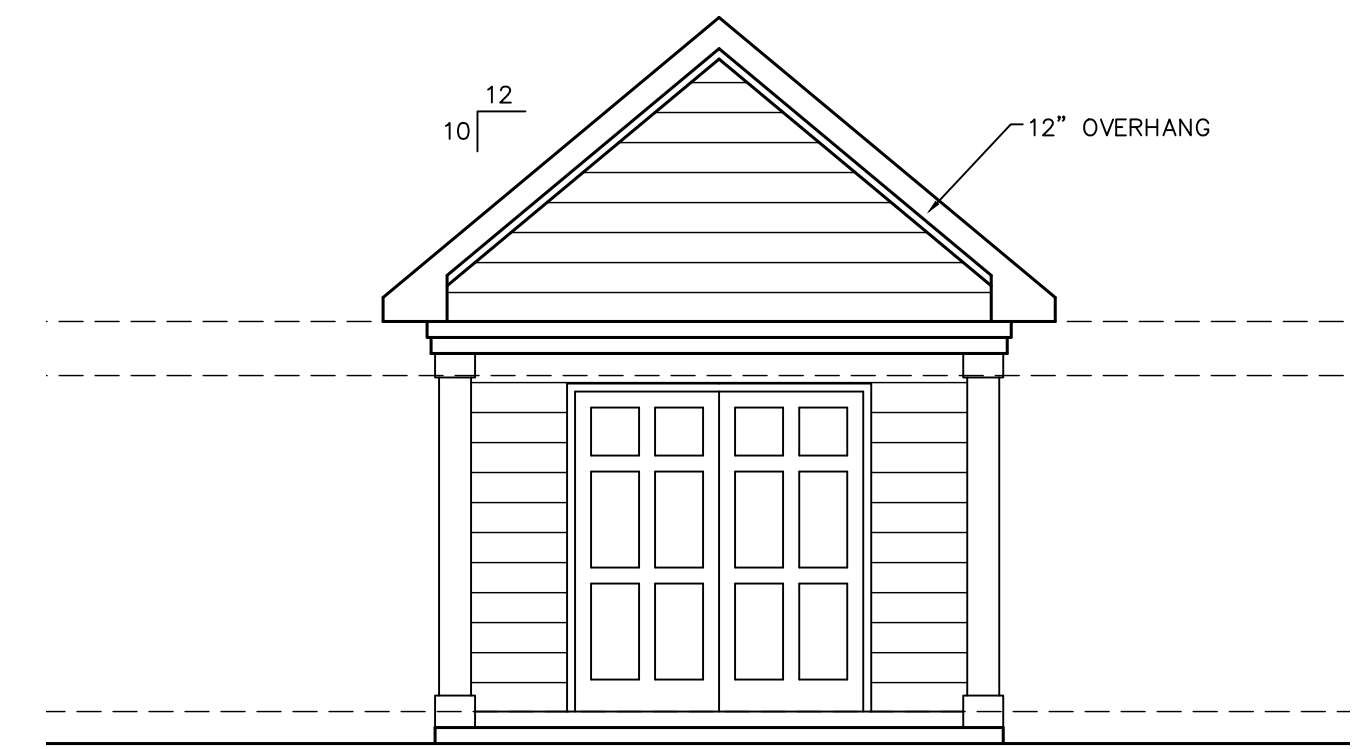


It is the responsibility of the builder to assure that all work is in accordance with the latest edition of all applicable Nation, State, and Local Building Codes. It is the responsibility of the builder to check all dimension and details for overall accuracy appropriate to the local on site conditions. The draftsman is not an architectural firm and stands no liability for structural or architectural design integrity. Every effort has been made to ensure all dimensions are correct and governmental regulations have been met. If an error or omission does occur it is the sole responsibility of the contractor to correct the error and not the responsibility of the draftsman. This plan has been prepared for the contractor and the Draftsman has no knowledge of, or is responsible for, any copy right infringement. The contractor takes sole responsibility for everything on this plan.

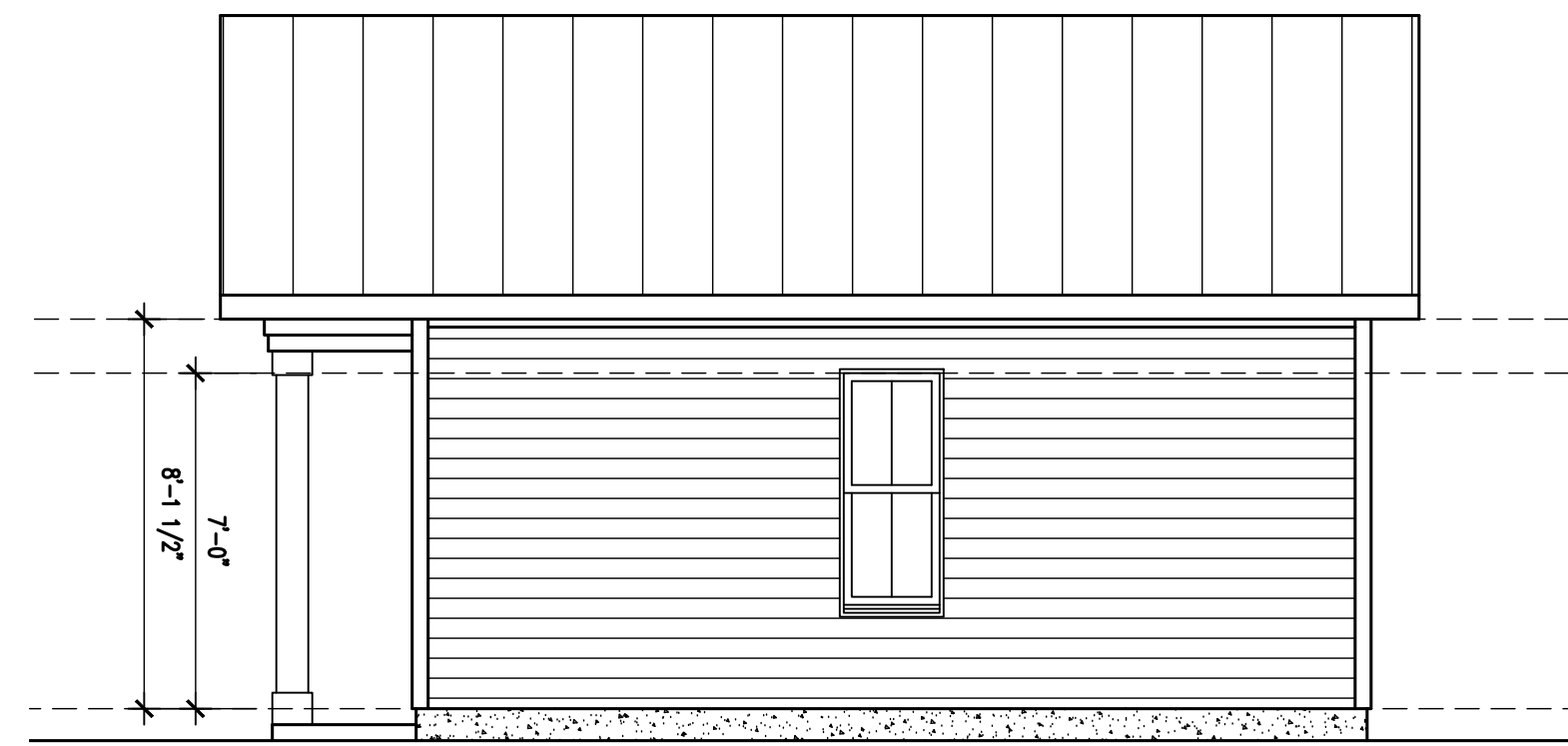




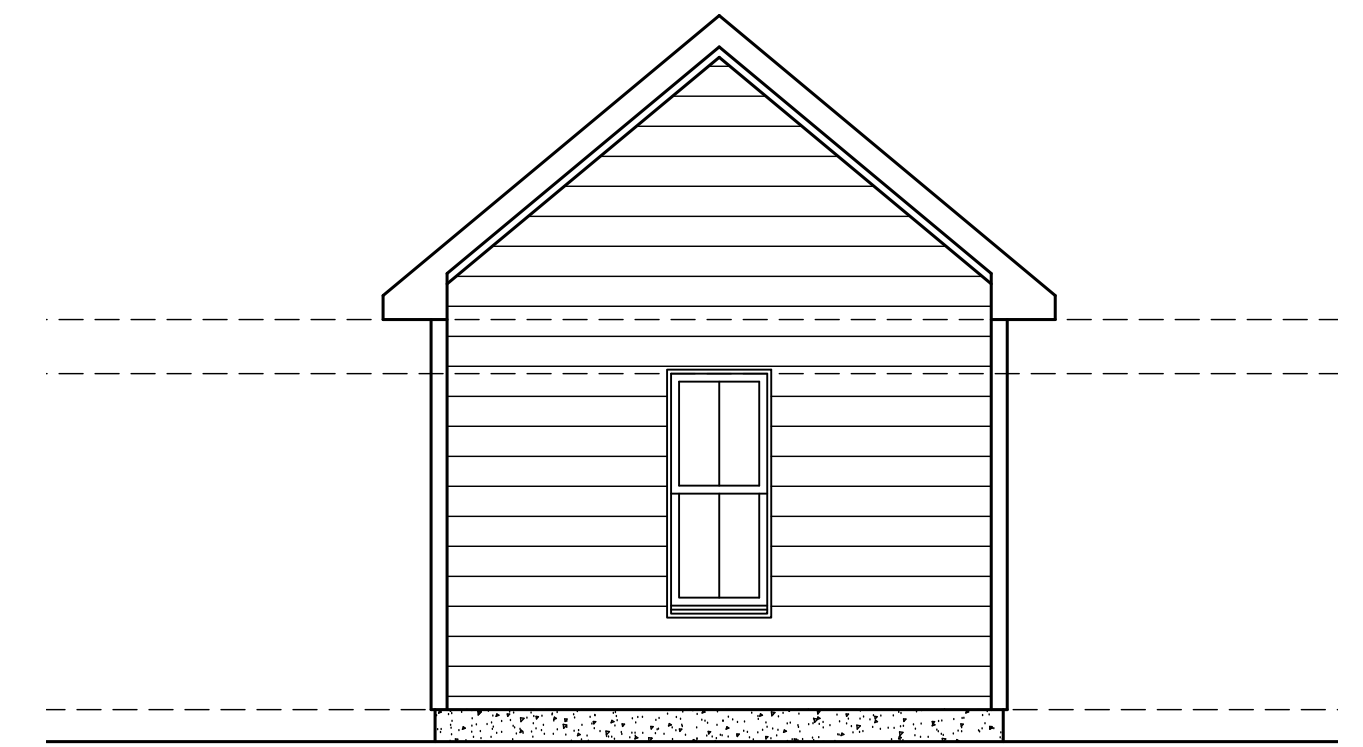
LEFT ELEVATION 1/4" = 1'-0"



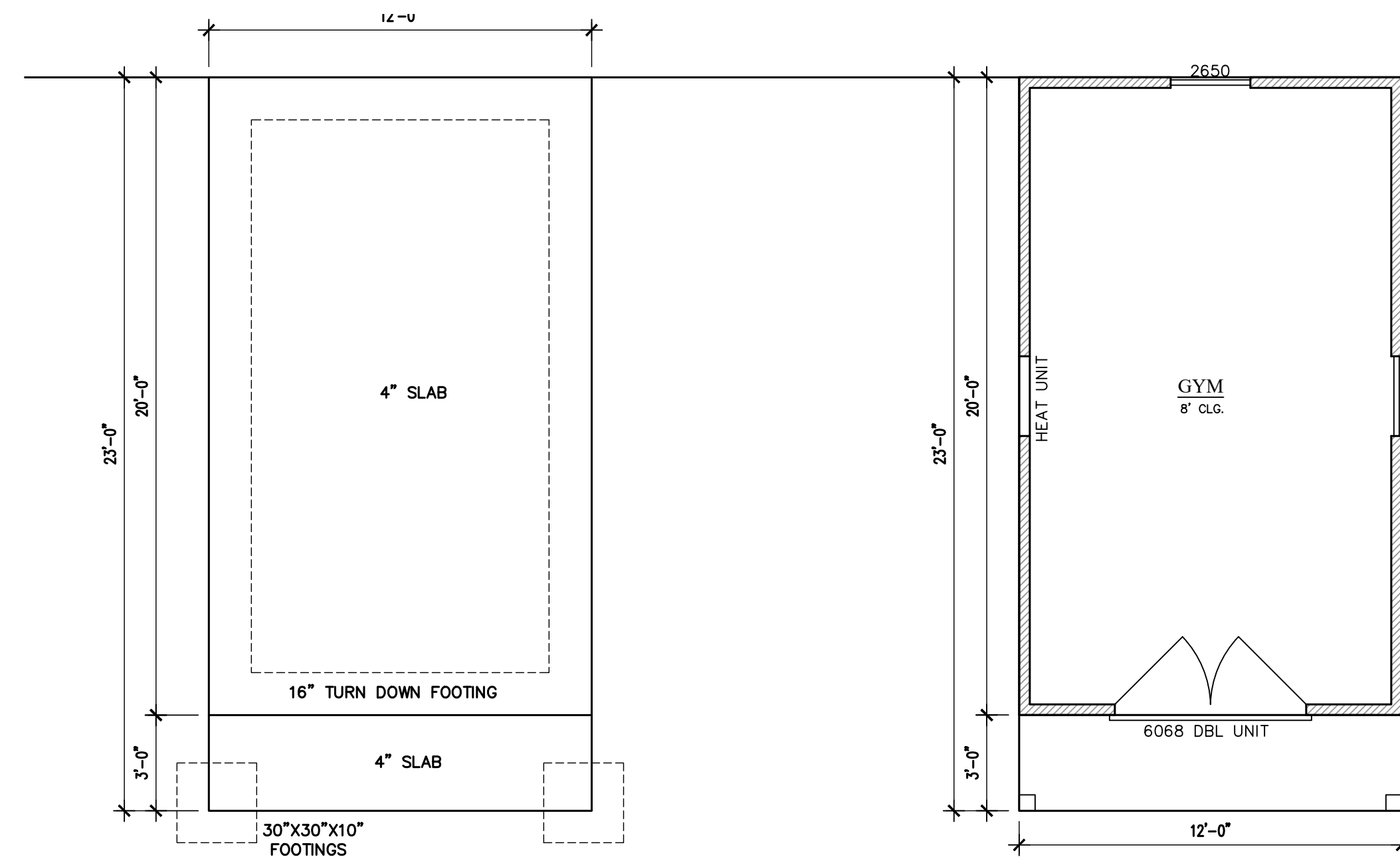
FRONT ELEVATION 1/4" = 1'-0"



RIGHT ELEVATION 1/4" = 1'-0"



REAR ELEVATION 1/4" = 1'-0"



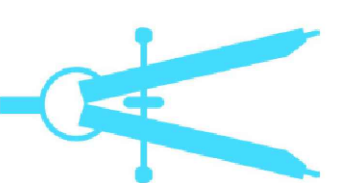
FOUNDATION PLAN 1/4" = 1'-0"

FLOOR PLAN 1/4" = 1'-0"

GROUND FLOOR	1481 sq. ft.	COVERED PORCH	750 sq. ft.
SECOND FLOOR	614 sq. ft.	PATIO	128 sq. ft.
TOTAL HEATED	2095 sq. ft.	GYM	240 sq. ft.
		GYM PORCH	36 sq. ft.

It is the responsibility of the builder to assure that all work is in accordance with the latest edition of all applicable National, State, and Local Building Codes. It is the responsibility of the builder to check all dimension and details for overall accuracy appropriate to the local on site conditions. The draftsman is not an architectural firm and stands no liability for structural or architectural design integrity. Every effort has been made to ensure all dimensions are correct and governmental regulations have been met. If an error or omission does occur it is the sole responsibility of the contractor to correct the error and not the responsibility of the draftsman. This plan has been prepared for the contractor and the Draftsman has no knowledge of, or is responsible for, any copy right infringement. The contractor takes sole responsibility for everything on this plan.

**J Lee Designs**  
Dream. Create. Live.



**GRECO - KORNEGAY**  
**REC. BUILDING**

SCALE : 1/4" = 1'

MARCH 7TH, 2021

**A6**